

Human to the world through natural communication
as if in the same place beyond distance.

“MADO”



“To exist together with someone”

This product is designed to maximize
the feeling of comfort of this phrase

Case Study of “MADO”

Individualized teaching for students in remote islands

In a high school located in a remote island in Shimane prefecture, there was a lack of teachers who specialized in physics, and thus was difficult for students to apply to the most competitive engineering universities.

“Mado” was installed in the island’s public cram school and in the home of a cram school instructor in Tokyo, to provide a continuous connection to bring individualized teaching across space. The life-sized instructor using a white board can conduct classes while checking the notes the students take with full grasp of the students’ understanding of the content.

The students attending the cram school continue to study hard for the entrance exam today, while sensing the presence of the instructor who comes to them in the late afternoon across space through “Mado”.



Connecting remote locations for workshops

A workshop to discuss what can be done to create an environment where children can continue to work happily in an age where the younger generation head to urban areas and the population of rural areas decline, was conducted.

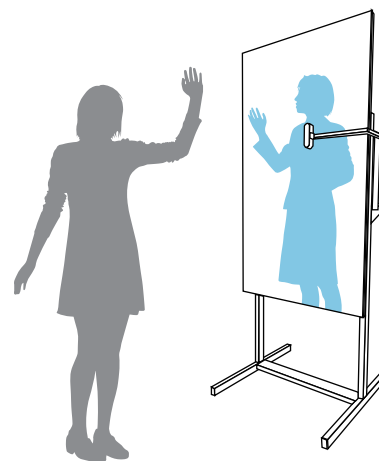
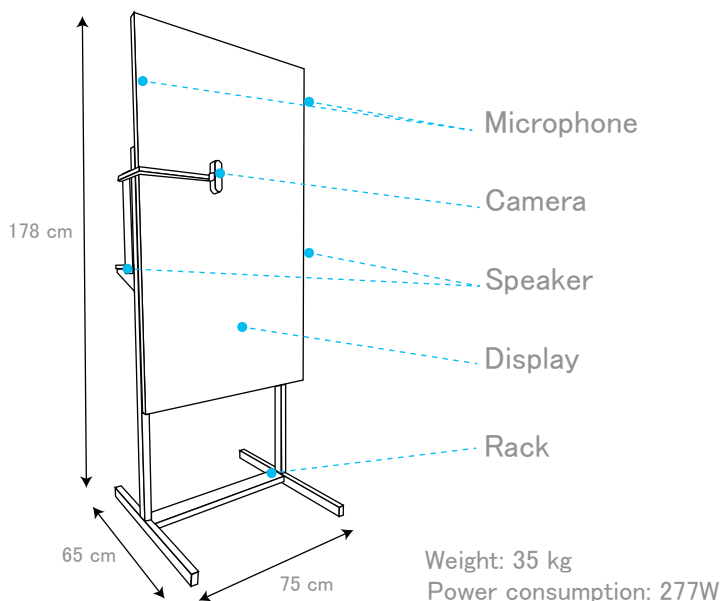
An urban location in central Kochi prefecture and another location in a mountainous area was connected via “Mado” and volunteers from across various generations and expertise from both within and outside of the prefecture gathered for a 2-day project to discuss their future.

In the end, the project members, even though they had never met, high-fived each other via “Mado” with full smiles.



“MADO” basic specifications

With the use of network connectivity, “Mado” installed in remote locations can be connected and natural communications as if you are in the same space can become a reality.



Standard version *Caster and adjustors can be selected to match your needs

MUSVI Corporation

5-12-4 Kitashinagawa, Shinagawa-ku, Tokyo-to Japan 141-0001

Mail : contact@musvi.jp Website : <https://musvi.jp/>